



## Omni-ID<sup>®</sup> Exo 1000

Omni-ID Exo 1000 is a long read range passive UHF RFID tag capable of reading on, off, and near metal surfaces. Designed in a surprisingly small form factor, the Omni-ID Exo 1000 features a slightly less rugged design than the Exo 800, but with the benefit of a long read range of 10 meters and a lower cost.

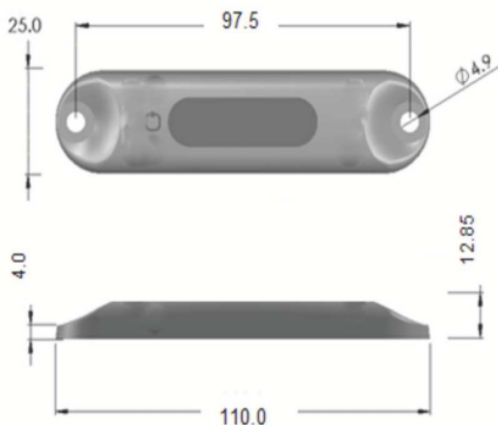
### Applications

With a high read range, outstanding performance and durable service bureau options, the Omni-ID Exo 1000 is ideally suited to:

- ▶ Manufacturing tote tracking.
- ▶ Logistics and Postal
- ▶ Automotive & retail supply chain

### Physical Specifications

Encasement	ABS Rigid Plastic
Size (mm)	110 x 25.0 x 12.9
Size (in)	4.33 x 0.98 x 0.51
Weight (g)	21.0



Dimensions stated in mm

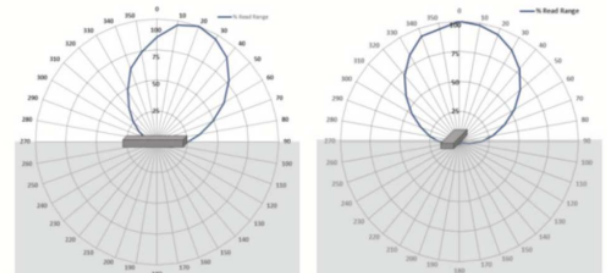
### RF Specifications

Protocol	EPC Class 1 Gen2v2
Frequency Range (MHz)	860-930 (GS)
Read Range (Fixed reader) <sup>1</sup>	Up to 10.0m
Read Range (Handheld reader) <sup>1</sup>	Up to 8.0m
Material Compatibility	Optimized for Metal
IC Type (chip)	Impinj Monza 4QT
Memory <sup>2</sup>	EPC - 128bit User - 512bits Unique TID - 48bits

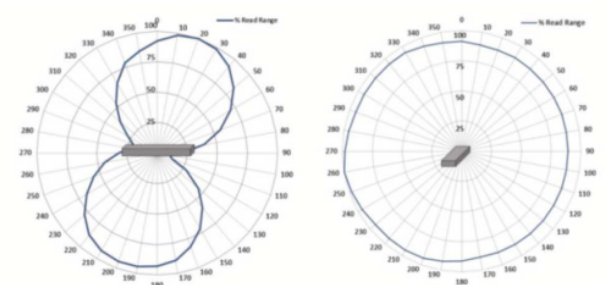
1. Quoted performance achieved using standard testing methodology. Read range will vary with reader hardware and output power.
2. EPC and User memory are reprogrammable, UTID is locked at point of manufacture.

### Radiation Patterns

On Metal



Off Metal



## Related Products and Services

- ▶ **Omni-ID Exo 400** - Small RFID tag with rugged encapsulation, capable of surviving temperatures to 235 °C.
- ▶ **Omni-ID Exo 600**- High performance, global RFID tag designed to meet the diverse needs of logistics industries.
- ▶ **Omni-ID Exo 750** - Extreme durability, long range and global operability in a small, square footprint, on metal RFID tag.
- ▶ **Service Bureau** - Omni-ID offers a full service bureau for printing and pre-encoding Omni-ID tags at point of manufacture.



## Environmental Specifications

Storage Temperature<sup>1</sup> -40 ° to +65 °C

Operation Temperature<sup>1</sup> -40 ° to +65 °C

Survivability<sup>1</sup> -40 ° to +65 °C

IP Rating IP68

Shock and Vibration MIL STD 810-G

Impact<sup>2</sup> 3kg from 1m

Attachment Mechanical (std)  
Premium Foam (option)

Certifications RoHS approved  
CE approved  
ATEX/IECEX certified (option)  
US&Canada (C1D1/D2) certified (option)



Warranty 3 years

## Ordering Information

Order Code 162 - GS

Option Code :303 (Customization)  
:304 (ATEX/IECEX certified)  
:307 (US&Canada (C1D1/D2) certified)  
:508 (Premium foam)  
:701 (Standard Service Bureau)

<sup>1</sup> Excludes adhesive options, consult adhesive data sheets for recommended temperature ratings.

<sup>2</sup> Testing methodology available on request